



NLS-HR100L

Hand-held 1D Barcode Scanner



A general-purpose hand-held scanner for 1D barcode scanning, suitable for most barcode scanning needs.

Product Features

- **Durable and Easy to Operate**

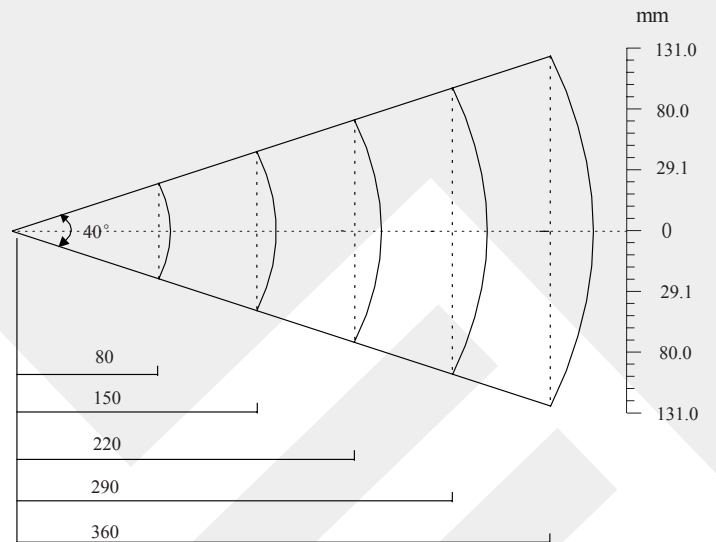
This is a well-designed hand-held CCD scanner. Aside from the principle of excellence mechanical design, it also installs with many user-friendly operations

- **Advance Technology**

Thanks to the core-technology **UIMG™**. Independent designed and manufactured by Newland Auto-ID. **UIMG™** technology includes the optical, CMOS, digitizer, decoder, image processing & embedded systems. Supports all global standard 1D barcode symbologies Reading performance reaches global standard. By using accessories provided, scan all kinds of barcodes defined by customers.

Decode Zones

- **Field of View**



- **Decode Distances**

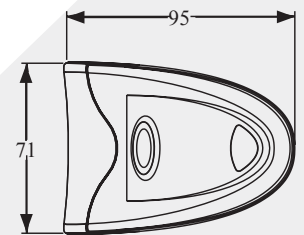
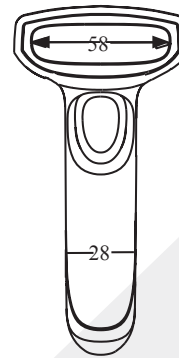
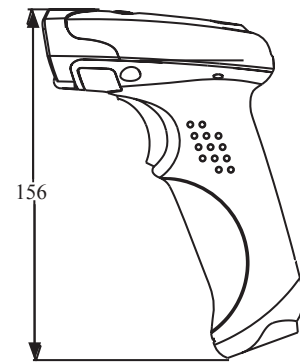
Barcode	Density(mil)	Near(mm)	Far(mm)
EAN-8	10	40	240
EAN-8	15	10	300
Code39	5	80	140
Code39	10	30	260
Code39	12	25	280
Code39	16	15	360



HR100L Specifications

Performance		
Image Sensor	Linear CCD	
Interface	USB/USB-HID/USB-Keyboard/PS2/RS232	
Symbologies	Code128, EAN-13, EAN-8, Code39,UPC-A, UPC-E, Codabar, China post 25, Interleaved 2 of 5, ISBN/ISSN, Code 93 etc.	
Precision	≥ 4mil	
Light Source	Visible LED Diode 630 nm ± 10 nm	
Depth of Scan Field	40 mm - 300mm	
Print Contrast Signal	≥ 30%	
Roll	45°	
Pitch	30°	
Yaw	45°	
Illumination	0 ~ 80,000 LUX	
Mechanical/ Electrical		
Power Consumption	0.7W (Max)	
Voltage	DC 5.0V	
Current	Peak	149.6mA
	Operating	78.5mA
	Idle	0.6mA
Weight	200g	
Environment		
Operate Temperature	-25°C to +60°C	
Storage Temperature	-40° C to 85° C	
Humidity	5% - 95% (non-condensing)	
Certificates	FCC	

Dimension (Unit: mm)



Accessories

Cradle	
STAND100	The bracket for HR100L, the HR100L could be mounted in the bracket.
Flex Cable	
CBL100R	This cable connect to the RS232 port of HR100L with a RJ45 port. With a standard female RS232 port to connect to standard male RS232 port. With a power port to accept power adapter supply.
CBL100U	This cable connect to the USB Slave port of HR100L with a RJ45 port. With a standard USB Slave port to connect to standard USB Host port.
Power	
ADP50	The power adapter for HR100L by the CBL100R. Output: DC 5V, 2A; Input: AC100~240V, 50~60HZ.

Applicable Accessories

- **Programming Guide**

A manual for user who can scans the pre-printed barcodes to define the configuration, By using accessories provided, scan all kinds of barcodes defined by customers.